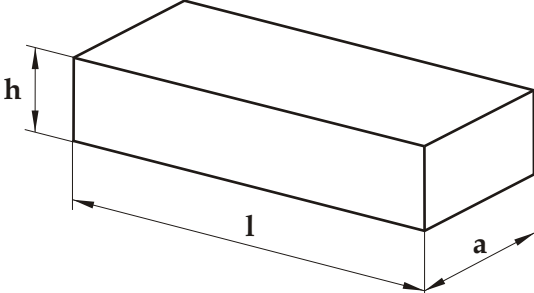




BRICKS

STRAIGHT

Shape	Item No	Dimensions, mm			Volume, dm ³
		l	a	h	
	3967	300	150	80	3.60

